

LabView

10

Dr Piotr Sitarek

Katedra Fizyki Doświadczalnej, Politechnika Wrocławska

Temat na dziś

Kontrola urządzeń – myDAQ
wyświetlacz 7-mio segmentowy LED

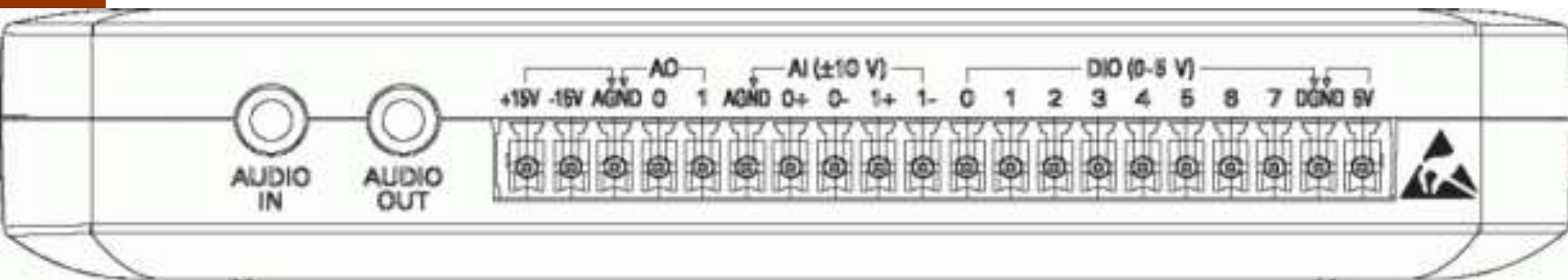
Programowanie w środowisku (cd.)



ni.com

(część materiałów zaczerpnięta ze
strony producenta)

myDAQ



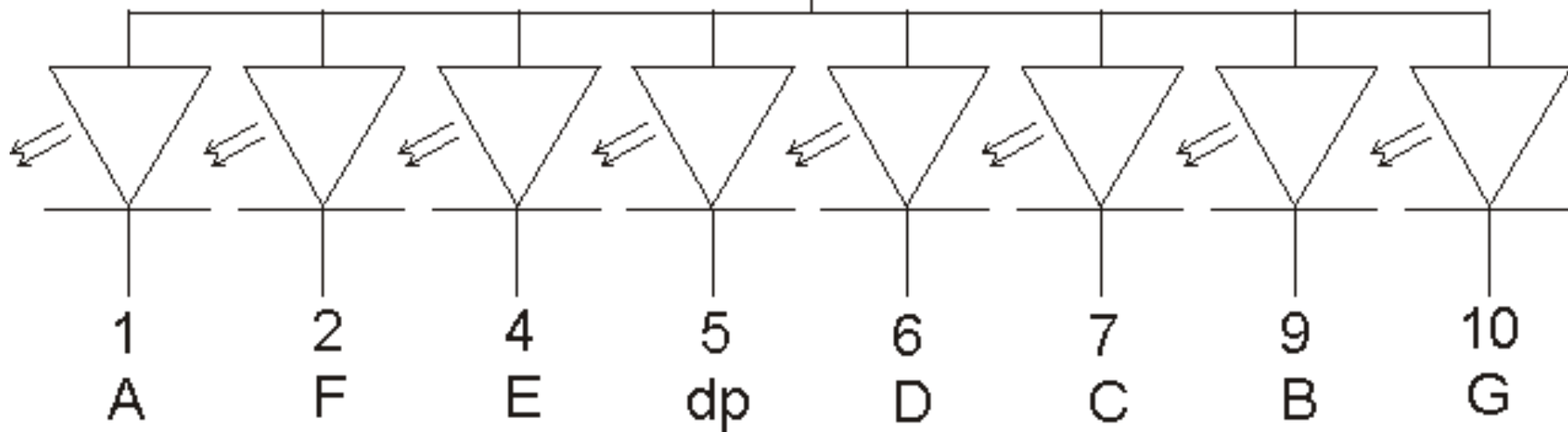
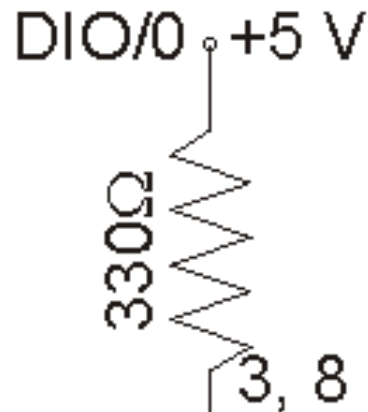
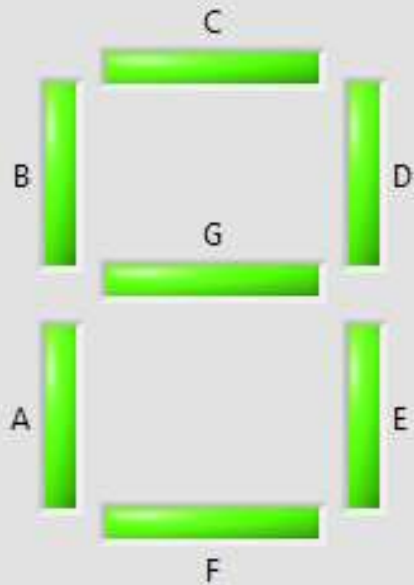
7 LED

10 - 6



1 - 5

7 LED



7 LED

Create New ...

? X



Select the physical channel(s) to add to the task.

If you have previously configured [global virtual channels](#) of the same measurement type as the task, click the **Virtual** tab to add or copy global virtual channels to the task. When you copy the global virtual channel to the task, it becomes a local virtual channel. When you add a global virtual channel to the task, the task uses the actual global virtual channel, and any changes to that global virtual channel are reflected in the task.

If you have TEDS configured, click the **TEDS** tab to add TEDS channels to the task.

For hardware that supports [multiple channels](#) in a task, you can select multiple channels to

Physical

Supported Physical Channels

- myDAQ1 (NI myDAQ)
 - port0/line0
 - port0/line1
 - port0/line2
 - port0/line3
 - port0/line4
 - port0/line5
 - port0/line6
 - port0/line7

<Ctrl> or <Shift> click to select multiple channels.

< Back

Next >

Finish

Cancel

7 LED

The screenshot displays a software interface for configuring digital channels. At the top, a toolbar includes 'Undo', 'Redo', 'Run', 'Add Channels', and 'Remove Channels'. Below the toolbar, seven digital output channels are listed vertically: DigitalOut_6, DigitalOut_5, DigitalOut_4, DigitalOut_3, DigitalOut_2, DigitalOut_1, and DigitalOut_0. The main configuration area is divided into three tabs: 'Configuration', 'Triggering', and 'Advanced Timing'. The 'Configuration' tab is active, showing a 'Channel Settings' list on the left with 'DigitalOut_0' through 'DigitalOut_6' and a 'Digital Line Output Setup' panel on the right. The 'Digital Line Output Setup' panel has a 'Settings' sub-tab and a checked 'Invert Line' checkbox. At the bottom, the 'Timing Settings' section includes a 'Generation Mode' dropdown set to '1 Sample (On Demand)', a 'Samples to Write' field set to '100', and a 'Rate (Hz)' field set to '1k'.

Undo Redo Run Add Channels Remove Channels

DigitalOut_6
DigitalOut_5
DigitalOut_4
DigitalOut_3
DigitalOut_2
DigitalOut_1
DigitalOut_0

Configuration Triggering Advanced Timing

Channel Settings

+ X Details >>

DigitalOut_0
DigitalOut_1
DigitalOut_2
DigitalOut_3
DigitalOut_4
DigitalOut_5
DigitalOut_6

Digital Line Output Setup

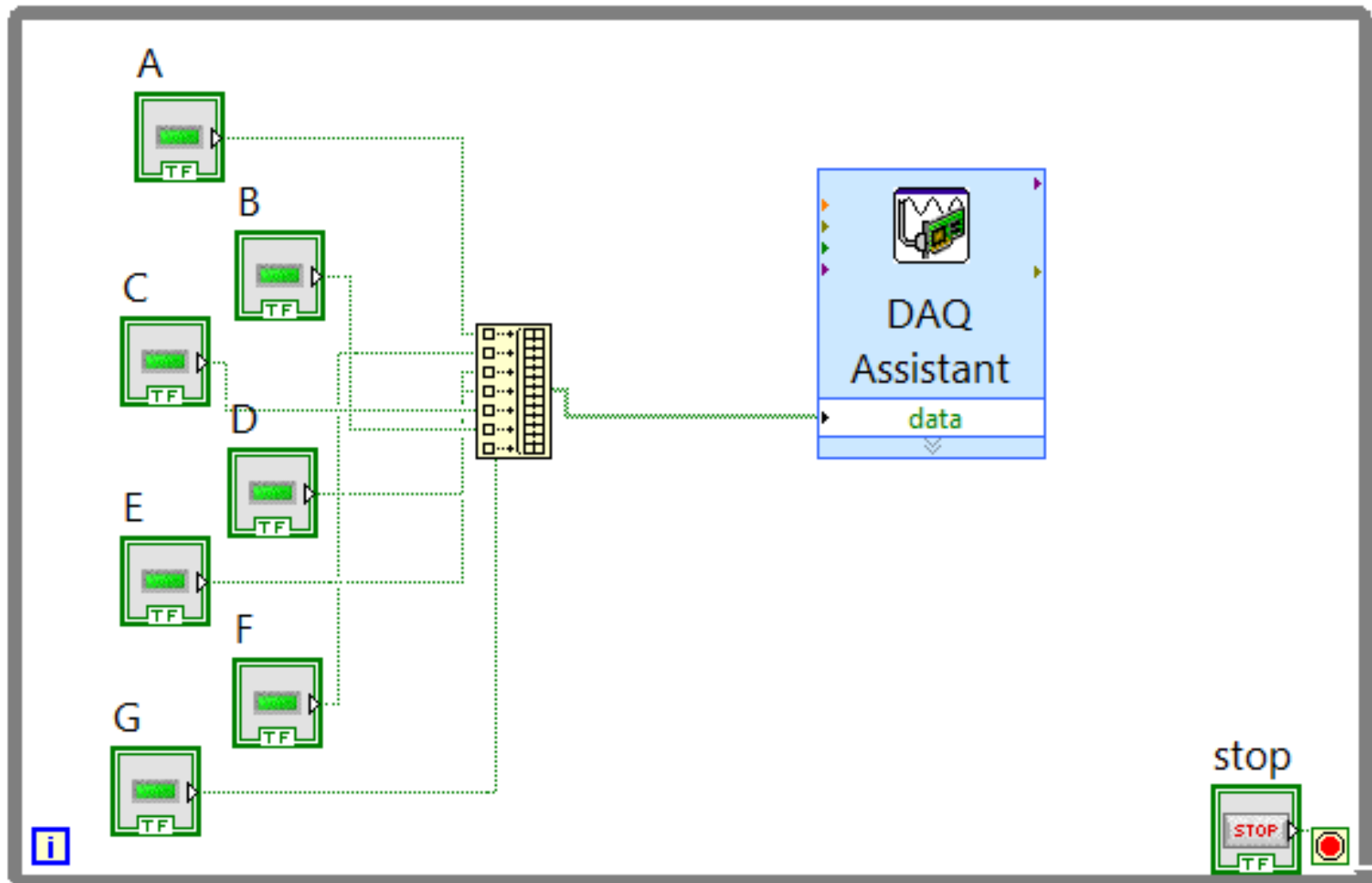
Settings

Invert Line

Timing Settings

Generation Mode 1 Sample (On Demand) Samples to Write 100 Rate (Hz) 1k

7 LED



7 LED

